

The Ultimate Portable Mixer for Production, ENG, and Film



Description

Developed with input from the industry's top audio engineers, Sound Devices 442 encompasses the audio performance, feature set, and mechanical construction demanded by those who rely on audio gear for their livelihood. The 442 contains four microphone preamplifiers that re-define portable audio performance. With its comprehensive inputs and extensive outputs, including direct outputs per channel, the 442 is at home in small run-and-gun applications as well as large, multiple-input productions.

The 442 incorporates a complete feature-set into a compact, functional design. All controls are accessible on its three main surfaces; no hidden controls.

Description continued on page 2.

442 Key Features

- Lundahl transformer-balanced mic or line-level inputs on XLR connectors
- Transformer-balanced line/tape/mic level output on XLR connectors
- Continuously adjustable input trim
- Variable high-pass filter
- Continuously variable pan control
- Phantom (48-volt or 15-volt) or "T" microphone powering selected per channel
- Solo (PFL) channel monitoring in headphones
- Peak limiters per channel
- Direct outputs on TA3 locking connectors
- Transformer-balanced line/tape/mic level output on Hirose connector
- Balanced line or tape level output on TA3 locking connectors
- Un-balanced TRS-stereo tape level output on 1/8-inch connector
- Un-balanced TS-mono mic level output on 1/8-inch connector
- Sunlight-viewable LED meters with proprietary software-selected ballistics
- On-board MS stereo matrix, channels 1 and 2
- Two independent monitor return inputs for monitoring two-camera productions
- Push pots for setup features keeps front panel clutter-free
- Compact 6061 aluminum chassis
- Powered by four AA batteries or external 5 - 18 VDC

SOUND DEVICES

300 Wengel Drive
Post Office Box 576
Reedsburg, Wisconsin 53959 USA
+1 608.524.0625 main
+1 608.524.0625 p

Discover more about Sound Devices products at www.sounddevices.com



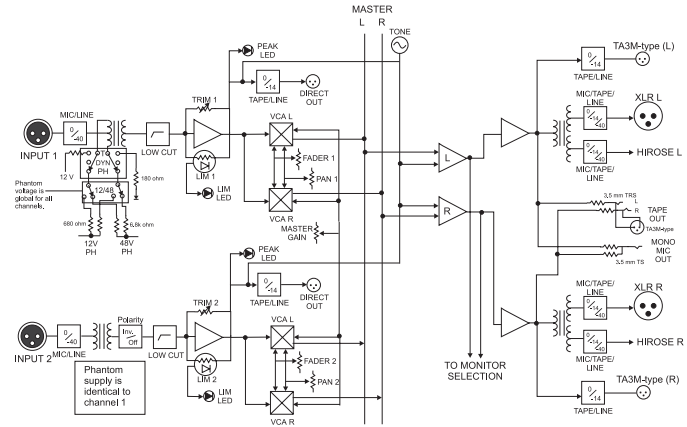
The Ultimate Portable Mixer for Production, ENG, and Film



[Input Panel]



[Output Panel]



[Input/Output Block Diagram]

Specifications

Frequency Response:

- 20 Hz - 30 kHz, +0.2, -0.5 dB, -1 dB @ 5 Hz and 50 kHz typical

Equivalent Input Noise:

- -126 dBu (-128 dBV) maximum (22 Hz - 22 kHz bandwidth, flat filter, trim control fully up)

Dynamic Range:

- 115 dB minimum (trim fully down)

THD + Noise:

- 0.007% typical (1 kHz, +4 dBu at line out)
- 0.09% max (50 Hz - 20 kHz, +18 dBu at line out, fader fully up)

Output Noise:

- -100 dBu (-102 dBV) maximum (22 Hz - 22 kHz bandwidth, flat filter, master gain fully up, faders fully down)

High-Pass Filters:

- Sweepable 80 Hz to 240 Hz, 12 dB/oct @ 80 Hz, 6 dB/octave at 240 Hz

Powering:

- Internal ± 16 V (bi-polar) regulated audio rails
- 3.2-8-volt range internal batteries
- Isolated (floating) external DC input jack, 5-18-volt
- Locking 4-pin Hirose connector, pin-4 = (+), pin-1 = (-),

Metering:

- 40 segment, sunlight-viewable
- Selectable Peak, VU, or Peak (with or without peak hold) + VU ballistics

Input Clipping Level:

- 0 dBu minimum (trim control fully down)

Line Output Clipping Level: (1% THD):

- 20 dBu minimum
- 18 dBu minimum w/600 ohm load

Input Type:

- XLR mic - 2k ohm Z, transformer-balanced, 0 dBu max input
- XLR line - 16k ohm Z, transformer-balanced, +40 dBu max input

Output Type:

- XLR & multi-pin @ line - 85 ohm Z, transformer balanced, +20 dBu max output
- XLR & multi-pin @ mic - 150 ohm Z, transformer-balanced, +6 dBu max output
- TA3 line - 1k ohm Z, impedance-balanced, +20 dBu max output

Common Mode Rejection Ratio:

- 120 dB minimum at 80 Hz, mic input, 100 dB minimum at 10 kHz, mic input

L/R Gain Matching:

- Mic in to Line Out: ± 0.1 dB

Mic Powering (each mic selectable):

- No power applied, 12-volt phantom, 48-volt, 12-volt T-power

Input Limiters:

- Affects the output of the mic preamps only ('Trim' stage), +18 dBu threshold, 20:1 limiting ratio, 1 mS attack time, 200 mS release time.

Output Limiters:

- Threshold selectable from +4 dBu to +20 dBu, 1 dB steps, 20:1 limiting ratio, 1 mS attack time, 200 mS release time.

Temperature:

- Operating: -20°C to 60°C, 0 to 95% relative humidity; (non-condensing).
- Storage: -40°C to 85°C

Dimensions:

- 53 mm x 165 mm x 279 mm (H x W x D) 2.1" x 6.5 x 11"

Weight:

- 2.0 kg, (4.5 lbs) unpackaged with 4-AA batteries

Description Continued

The high-efficiency power circuitry runs the mixer from either four internal AA batteries or external 5-18 VDC.

The 442 and 442N, like all Sound Devices professional audio products, are designed to withstand the physical and environmental extremes of field production. Its compact mechanic construction strikes the perfect balance between access to all functions, and portability.